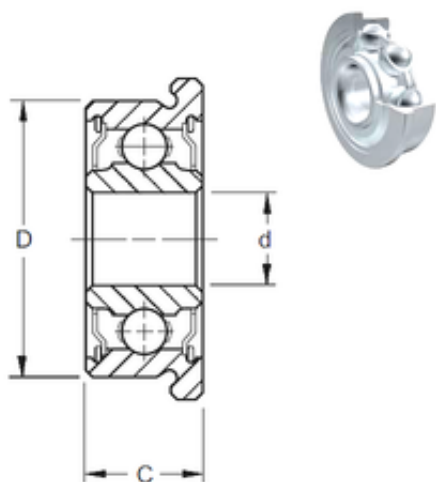




TIMKEN BEARING SALES PRIVATE LTD.



10 mm x 19 mm x 5 mm ZEN F61800-2Z deep groove ball bearings

Bearing No. F61800-2Z

Size	10x19x5 mm
Bore Diameter	10 mm
Outer Diameter	19 mm
Width	5 mm
d	10 mm
D	19 mm
B	5 mm
C	5 mm
Basic dynamic load rating (C)	1,716 kN
Basic static load rating (C0)	0,84 kN
(Grease) Lubrication Speed	37000 r/min

F61800-2Z Bearing 2D drawings and 3D CAD models