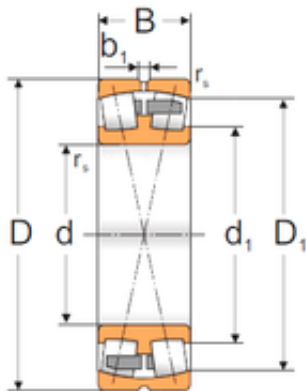




TIMKEN BEARING SALES PRIVATE LTD.



130 mm x 230 mm x 64 mm Loyal 22226
MBW33 spherical roller bearings

Bearing No. 22226 MBW33

22226 MBW33 Bearing 2D drawings and 3D CAD models

Size	130x230x64 mm
Bore Diameter	130 mm
Outer Diameter	230 mm
Width	64 mm
d	130 mm
D	230 mm
B	64 mm
C	64 mm
b1	11 mm
d1	161 mm
r5 min.	3 mm
D1	201,1 mm
Weight	11,1 Kg
Basic dynamic load rating (C)	570 kN
Basic static load rating (C0)	809 kN
(Grease) Lubrication Speed	1800 r/min
(Oil) Lubrication Speed	2400 r/min
Calculation factor (e)	0,29
Calculation factor (Y0)	2,26
Calculation factor (Y1)	2,31