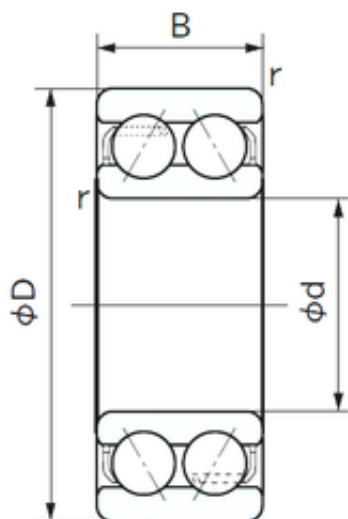




TIMKEN BEARING SALES PRIVATE LTD.



15 mm x 35 mm x 15.9 mm NACHI 5202
angular contact ball bearings

Bearing No. 5202

5202 Bearing 2D drawings and 3D CAD models

Size	15x35x15.9 mm
Bore Diameter	15 mm
Outer Diameter	35 mm
Width	15.9 mm
d	15 mm
D	35 mm
B	15.9 mm
C	15.9 mm
Angle (°)	30 °
r min.	0.6 mm
Weight	0.070 Kg
Basic dynamic load rating (C)	11,9 kN
Basic static load rating (C0)	7,2 kN
(Grease) Lubrication Speed	14000 r/min
Category	Angular Contact Ball Bearings
Inventory	0.0
Manufacturer Name	NACHI
Minimum Buy Quantity	N/A
Weight / Kilogram	0.068
EAN	4991893598452
Product Group	B00152
Enclosure	Open
Flush Ground	No
Rolling Element	Ball Bearing



TIMKEN BEARING SALES PRIVATE LTD.

Number of Rows of Balls	Double Row
Precision Class	ABEC 1 ISO P0
Maximum Capacity / Filling Slot	No
Snap Ring	No
Cage Material	Steel
Contact Angle	20 Degree
Internal Clearance	C0-Medium
Number of Bearings	1 (Single)
Inch - Metric	Metric
Long Description	15MM Bore; 35MM Outside Diameter; 15.9MM Width; Open; No Flush Ground; Ball Bearing; Double Row of Balls; ABEC 1 ISO P0; No Filling Slot; No Snap Ring
Category	Angular Contact Ball Bearing
UNSPSC	31171531
Harmonized Tariff Code	8482.10.50.28
Noun	Bearing
Keyword String	Angular Contact
Manufacturer URL	http://www.nachi.com
Manufacturer Item Number	5202 BNLS
Weight / LBS	0.15
Bore	0.591 Inch 15 Millimeter
Width	0.626 Inch 15.9 Millimeter
Outside Diameter	1.378 Inch 35 Millimeter
Configuration	Double Row
Bore Type	Cylindrical Bore
Bore Size	15 mm
Fillet Radius/Chamfer	0.6 mm
Dynamic Load Rating	11,900 N
Static Load Rating	7,200 N



TIMKEN BEARING SALES PRIVATE LTD.

Limiting Speed - Grease	14,000 rpm
Limiting Speed - Oil	19,000 rpm
Radial Clearance	0.003 to 0.018 mm
da	20 mm30 mm
Dx	40.5 mm
ra	0.6 mm
Cy	2.9 mm