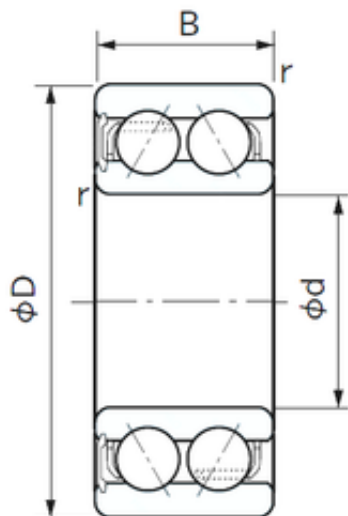




TIMKEN BEARING SALES PRIVATE LTD.



15 mm x 35 mm x 15.9 mm NACHI 5202ANS
angular contact ball bearings

Bearing No. 5202ANS

Size	15x35x15.9 mm
Bore Diameter	15 mm
Outer Diameter	35 mm
Width	15.9 mm
d	15 mm
D	35 mm
B	15.9 mm
C	15.9 mm
r min.	0.6 mm
Weight	0.070 Kg
Basic dynamic load rating (C)	11,4 kN
Basic static load rating (C0)	6,85 kN
(Grease) Lubrication Speed	12000 r/min

5202ANS Bearing 2D drawings and 3D CAD models