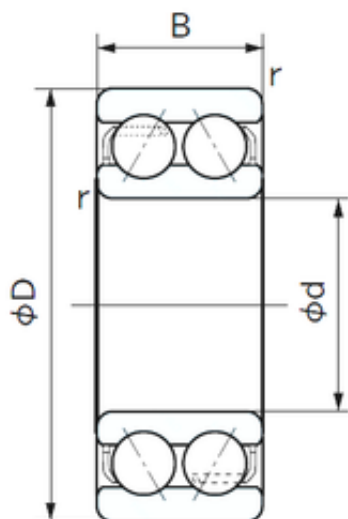




TIMKEN BEARING SALES PRIVATE LTD.



15 mm x 35 mm x 15.9 mm NACHI 5202A
angular contact ball bearings

Bearing No. 5202A

5202A Bearing 2D drawings and 3D CAD models

Size	15x35x15.9 mm
Bore Diameter	15 mm
Outer Diameter	35 mm
Width	15.9 mm
d	15 mm
D	35 mm
B	15.9 mm
C	15.9 mm
Angle (°)	20 °
r min.	0.6 mm
Weight	0.070 Kg
Basic dynamic load rating (C)	11,4 kN
Basic static load rating (C0)	6,85 kN
(Grease) Lubrication Speed	12000 r/min
Enclosure	Open
Configuration	Double Row
Bore Type	Cylindrical Bore
Bore Size	15 mm
Outside Diameter	35 mm
Width	15.9 mm
Fillet Radius/Chamfer	0.6 mm
Dynamic Load Rating	11,400 N
Static Load Rating	6,850 N
Limiting Speed - Grease	12,000 rpm
Limiting Speed - Oil	17,000 rpm



TIMKEN BEARING SALES PRIVATE LTD.

Radial Clearance	0.003 to 0.018 mm
da	20 mm30 mm
Dx	40.5 mm
ra	0.6 mm
Cy	2.9 mm