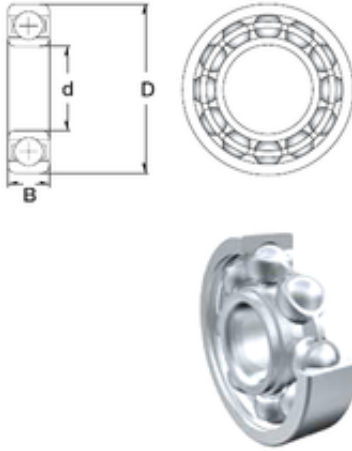




# TIMKEN BEARING SALES PRIVATE LTD.



190 mm x 260 mm x 33 mm ZEN 61938 deep groove ball bearings

Bearing No. 61938

Size	190x260x33 mm
Bore Diameter	190 mm
Outer Diameter	260 mm
Width	33 mm
d	190 mm
D	260 mm
B	33 mm
C	33 mm
Basic dynamic load rating (C)	88,5 kN
Basic static load rating (C0)	105 kN
(Grease) Lubrication Speed	2000 r/min

61938 Bearing 2D drawings and 3D CAD models