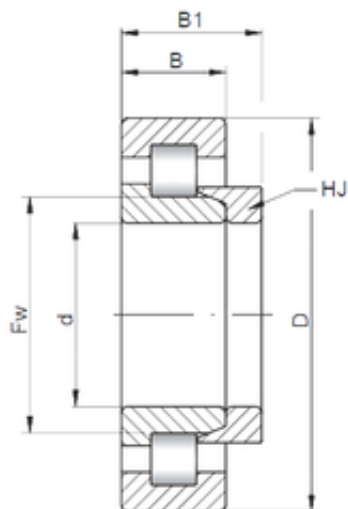




TIMKEN BEARING SALES PRIVATE LTD.



240 mm x 440 mm x 120 mm Loyal NH2248 cylindrical roller bearings

Bearing No. NH2248

Size	240x440x120 mm
Bore Diameter	240 mm
Outer Diameter	440 mm
Width	120 mm
d	240 mm
Fw	295 mm
D	440 mm
B	120 mm
C	120 mm
B1	16 mm
B2	38,5 mm
Weight	87,15 Kg
Basic dynamic load rating (C)	1430 kN
Basic static load rating (C0)	2320 kN
(Grease) Lubrication Speed	1100 r/min

NH2248 Bearing 2D drawings and 3D CAD models