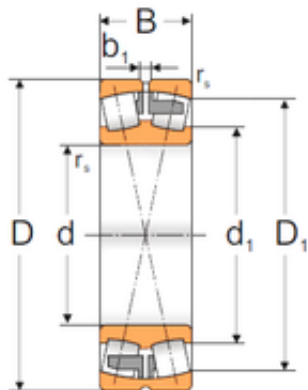




# TIMKEN BEARING SALES PRIVATE LTD.

## 70 mm x 150 mm x 51 mm Loyal 22314 MAW33 spherical roller bearings



Bearing No. 22314 MAW33

Size	70x150x51 mm
Bore Diameter	70 mm
Outer Diameter	150 mm
Width	51 mm
d	70 mm
D	150 mm
B	51 mm
C	51 mm
b1	8 mm
d1	92 mm
r5 min.	2,1 mm
D1	126,6 mm
Weight	4,53 Kg
Basic dynamic load rating (C)	311 kN
Basic static load rating (C0)	380 kN
(Grease) Lubrication Speed	2400 r/min
(Oil) Lubrication Speed	3200 r/min
Calculation factor (e)	0,37
Calculation factor (Y0)	1,78
Calculation factor (Y1)	1,82

22314 MAW33 Bearing 2D drawings and 3D CAD models