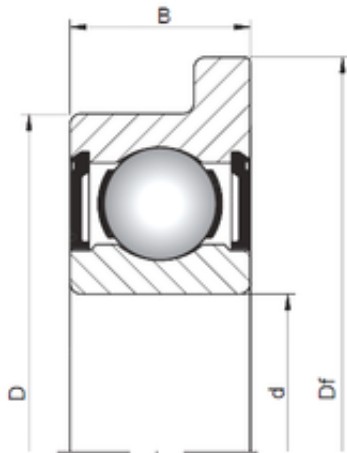




## TIMKEN BEARING SALES PRIVATE LTD.



9 mm x 17 mm x 5 mm Loyal FL618/9 ZZ deep groove ball bearings

Bearing No. FL618/9 ZZ

Size	9x17x5 mm
Bore Diameter	9 mm
Outer Diameter	17 mm
Width	5 mm
d	9 mm
D	17 mm
B	5 mm
C	5 mm
Df	19 mm
Weight	0,0034 Kg
Basic dynamic load rating (C)	1,43 kN
Basic static load rating (C0)	0,64 kN
(Grease) Lubrication Speed	33000 r/min

FL618/9 ZZ Bearing 2D drawings and 3D CAD models