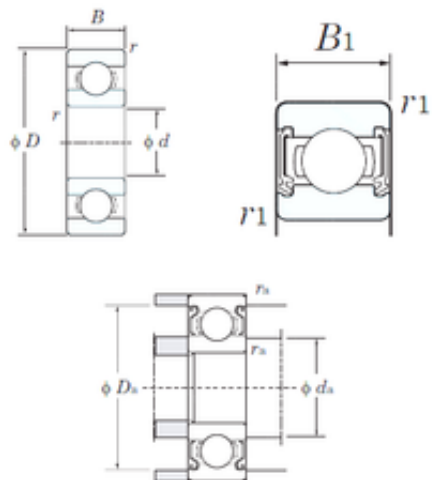




TIMKEN BEARING SALES PRIVATE LTD.



9 mm x 17 mm x 5 mm KOYO W689-2RD
deep groove ball bearings

Bearing No. W689-2RD

Size	9x17x5 mm
Bore Diameter	9 mm
Outer Diameter	17 mm
Width	5 mm
d	9 mm
D	17 mm
B	5 mm
C	5 mm
r min.	0,2 mm
r1 min.	0,2 mm
da min.	10,6 mm
Da max.	15,4 mm
ra max.	0,2 mm
Weight	0,0035 Kg
Basic dynamic load rating (C)	1,35 kN
Basic static load rating (C0)	0,66 kN
(Grease) Lubrication Speed	35000 r/min

W689-2RD Bearing 2D drawings and 3D CAD models